

Metal fitting for PC board [Part number: BG series] (100pcs/pack)

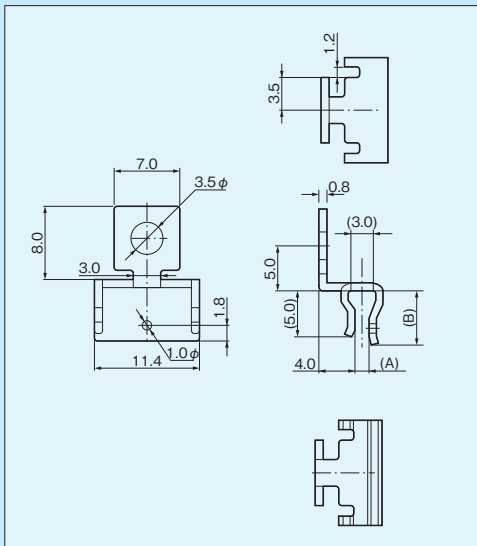
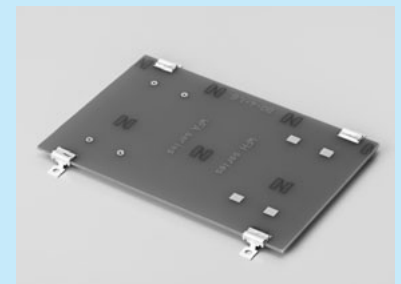
- This metal fitting can be soldered and fixed to a PC board.
- This product can be fit in, soldered and fixed to a surface mounting board, aluminum board, ceramic board or other board for which drilling is not suitable.
- This can be also used for installing a GND line down to a chassis.
- This is raised from a chassis by 4 mm.
- Three types with the adaptive PC board thickness of 0.6t, 1.0t and 1.6t are available.
- Material: Phosphor bronze
- Finish: Tin plating over nickel base
- Power capacity:20A

Part number

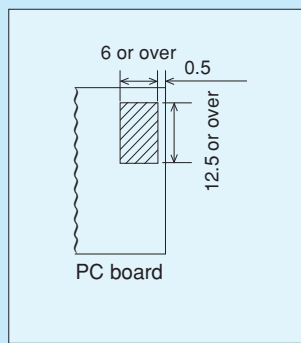
Part number	Adaptive printed board thickness	(A)	(B)
BG-4-0.6	0.6t	0.5	5.0
BG-4-1.0	1.0t	0.9	5.5
BG-4-1.6	1.6t	1.5	5.9



Example of usage

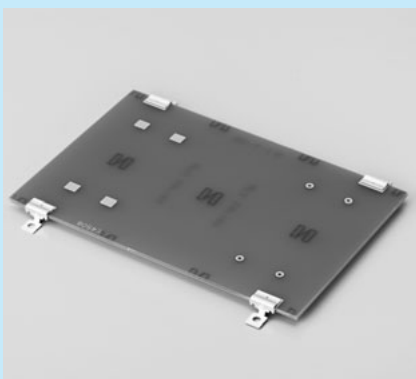


Recommended fitting land

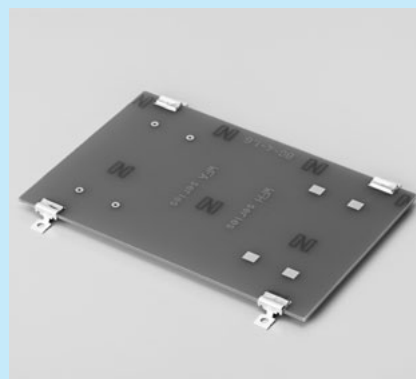


Please fit a land to the both sides.

How to use

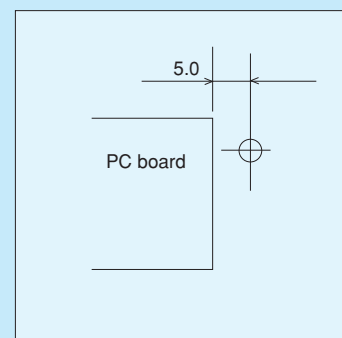


Fit in BG series.



Solder both the part face and the soldering face.

Chassis fitting hole position (for reference)



For surface mounting