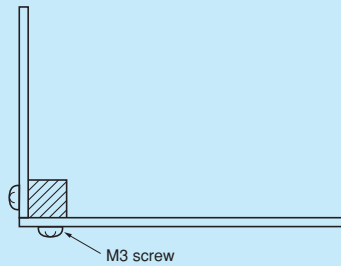
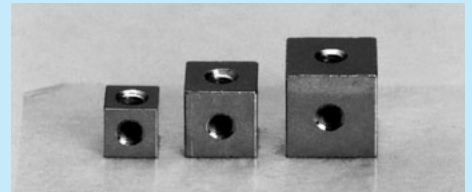
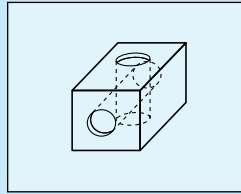
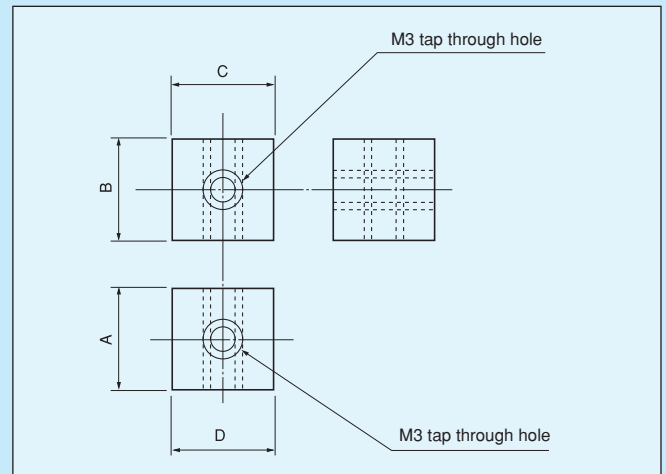


Printed board vertical fitting block [BB series] (100pcs/pack)

- This is used for fitting printed boards vertically.
- Material: Brass
- Finish: Nickel plating



Example of usage



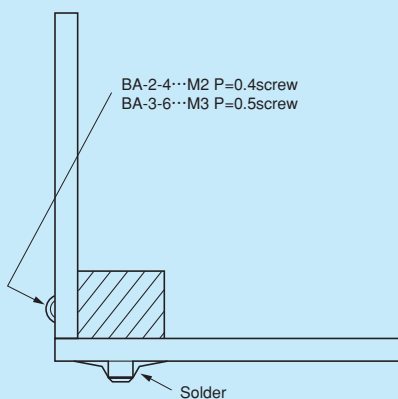
Part number	A	B	C	D
BB-001	10	10	10	10
BB-002	8	8	8	8
BB-003	6	6	6	6

Printed board vertical fitting block [BA series] (100pcs/pack)

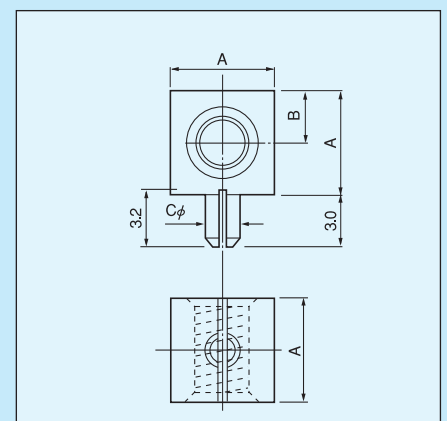
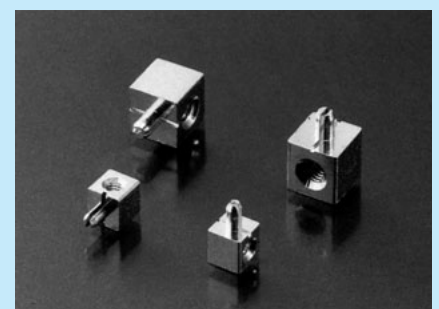
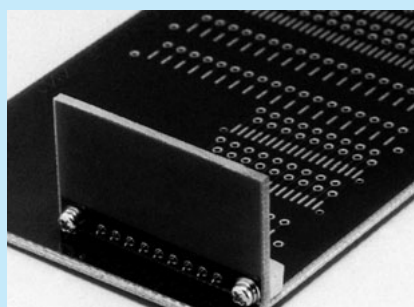
- This is used for fitting printed boards vertically.
- Please solder one side to a PC board.
- Material: Brass
- Finish: Tin plating over nickel base

Part number	A	B	C (φ)	M	Printed board fitting hole diameter	Recommended land diameter
BA-2-4	4	2	1.62	M2	φ 1.6	5 mm square land or φ 6 land
BA-3-6	6	3	2.02	M3	φ 2.0	7 mm square land or φ 9 land

- This product includes a fitting screw.



Example of usage



Instructions for use

- The soldering side is limited to be a through hole board.
- Please raise the solder securely to the part face during soldering.

PC board fitting block