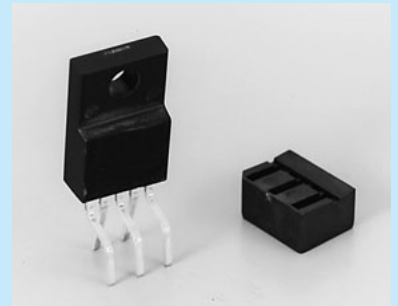
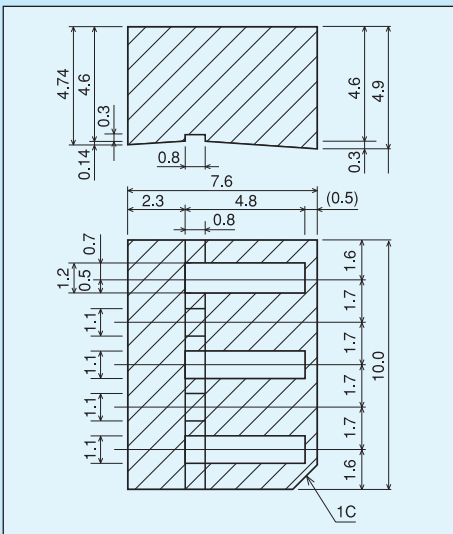


Spacer for five-terminal power supply regulator [Part number: 5LP-4.6] (100pcs/pack)

- This spacer is adaptive for five-terminal power supply regulator as shown in the following drawing.
- This can prevent leakage due to dirt adhesion.
- Material: PPS resin (UL94V-0)
- Color: Black
- Operating temperature range: -40 to +125°C

■ Part number: 5LP-4.6



■ Example of usage



■ Adaptive regulator

