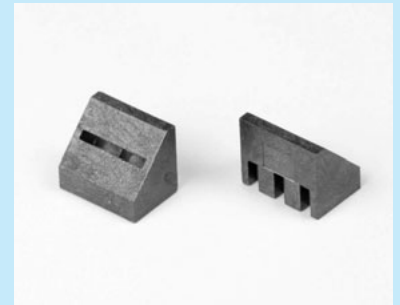
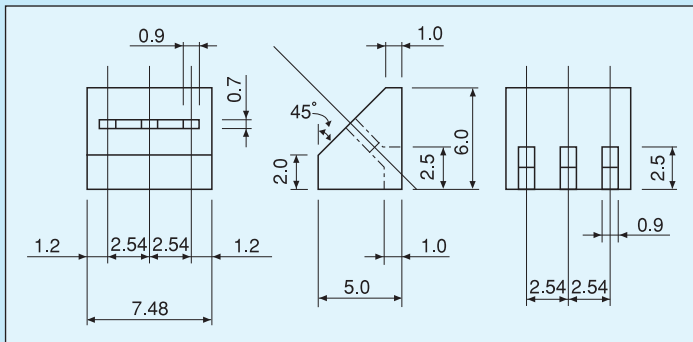
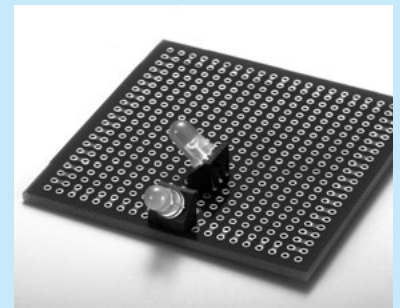


### 45-degree LED spacer (three-legged type) [Part number: 3LT-6] (100pcs/pack)

- This spacer is used for fitting an LED of dual-color emission type (three-legged type) at 45 degrees.
- This is used for an LED with the head diameter of  $\phi 3$  or  $\phi 5$ .
- LED leg pitch: 2.5 mm, 2.54 mm
- Material: LCP resin (UL94V-0)
- Color: Black
- Reflow: Can be used.
- Operating temperature range:  $-40$  to  $+125^{\circ}\text{C}$



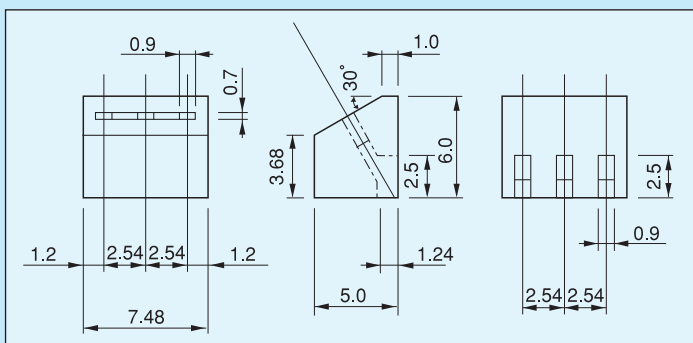
#### ■ Example of usage



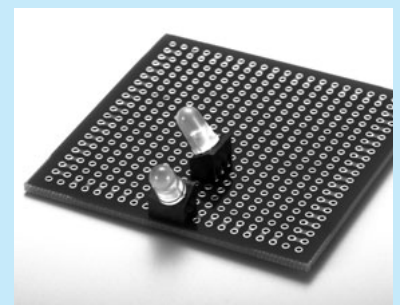
#### ■ Part number:3LT-6

### 30-degree LED spacer (three-legged type) [Part number: 3LT-6-30] (100pcs/pack)

- This spacer is used for fitting an LED of dual-color emission type (three-legged type) at 30 degrees.
- This is used for an LED with the head diameter of  $\phi 3$  or  $\phi 5$ .
- LED leg pitch: 2.5 mm, 2.54 mm
- Material: LCP resin (UL94V-0)
- Color: Black
- Reflow: Can be used.
- Operating temperature range:  $-40$  to  $+125^{\circ}\text{C}$



#### ■ Example of usage



#### ■ Part number:3LT-6-30